



Consolidated Rig Works  
6000 E. Berry St., Fort Worth, TX 76119  
PH: 817-446-5272 ~ FX: 817-446-4947  
E-mail: [crwlp@sbcglobal.net](mailto:crwlp@sbcglobal.net)  
Website: [www.crwlp.com](http://www.crwlp.com)

# SLIP BOWLS



## 3.5"/150K High Capacity Slip Bowl

1. Rated load: 150,000 lbs.
2. Designed and tested in compliance with API-8C (factor-of-safety rating 1.5:1)
3. Cast carriers with replaceable dovetail slide plates
4. Overall dimensions: 16-1/2" wide x 18" length x 16" high
5. Weight: approx. 315 lbs. less inserts
6. Stationary mounting: 2 ea. 1-1/8" holes @ 180 deg. on 13-1/4" DBC
7. Traveling bowl mount pattern: 1-1/8" tie rod hole pattern: 4 ea. equally ced on 14" DBC (approx. 9.9" x 9.9")
8. Gate pin dims: 2" diameter
9. Insert max: 3-1/2" diameter
10. Tie rod size: 1-1/8" diameter
11. Gate opening: 6-1/4"
12. Max open dia. less inserts: 5-3/8"
13. Normal operating pressure: 600-1500 psi
14. Cross port relief valve
15. Hose connections: 3/4" quick disconnects
16. Proof load tested to 1-1/2 times max load rating (225,000 lbs.).
17. Critical parts are NDE inspected after testing.
18. Slip bowls are stamped and numbered per customer request.
19. Top plate machined to accept (optional) guide rings.
20. Optional guide rings, optional pipe inserts (pipe dies)



Consolidated Rig Works  
6000 E. Berry St., Fort Worth, TX 76119  
PH: 817-446-5272 ~ FX: 817-446-4947  
E-mail: [crwlp@sbcglobal.net](mailto:crwlp@sbcglobal.net)  
Website: [www.crwlp.com](http://www.crwlp.com)

# SLIP BOWLS



©Consolidated Rig Works

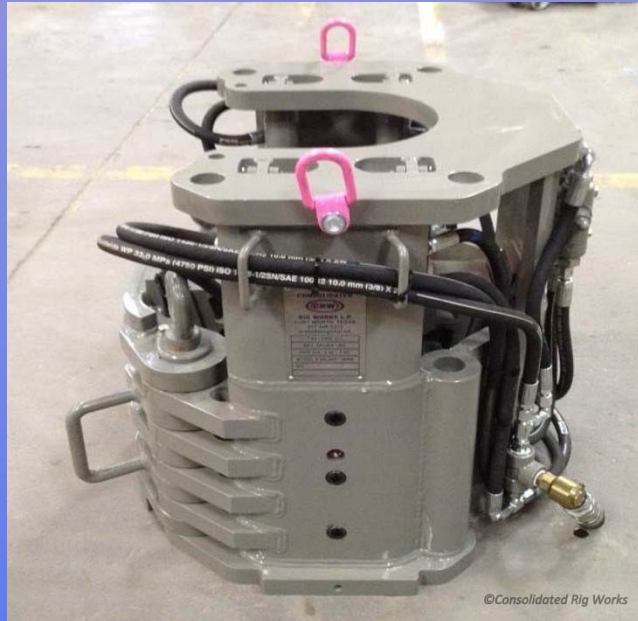
## 5.5"/225K High Capacity Slip Bowl

1. Rated load: 225,000 lbs.
2. Designed and tested in compliance with API-8C, with factor-of-safety rating of 1.5:1
3. Cast carriers with keyway slots
4. Full opening
5. Overall dimensions: 22" wide x 21" length x 18-3/8" high
6. Weight: approx. 550 lbs. less inserts
7. Traveling bowl mount pattern: 1-1/8" tie rod hole pattern: 4 ea. equally spaced on 14" DBC (approx. 9.9" x 9.9")
8. Gate pin dims: 13-1/8" center to center of gate pins
9. Insert max: 5-1/2" diameter
10. Tie rod size: 1-1/8" diameter
11. Gate opening: 6-5/8"
12. Max open dia. less inserts: 8-3/8"
13. Normal operating pressure: 600-1500 psi
14. Cross port relief valve
15. Hose connections: 3/4" quick disconnects
16. Proof load tested to 1-1/2 times max load rating (337,500 lbs.).
17. Critical parts are NDE inspected after testing.
18. Slip bowls are stamped and numbered per customer request.
19. Top plate machined to accept (optional) guide rings.
20. Optional guide rings, optional insert adapters (piggybacks) for smaller tubing sizes, optional pipe inserts (pipe dies)



Consolidated Rig Works  
6000 E. Berry St., Fort Worth, TX 76119  
PH: 817-446-5272 ~ FX: 817-446-4947  
E-mail: [crwlp@sbcglobal.net](mailto:crwlp@sbcglobal.net)  
Website: [www.crwlp.com](http://www.crwlp.com)

# SLIP BOWLS



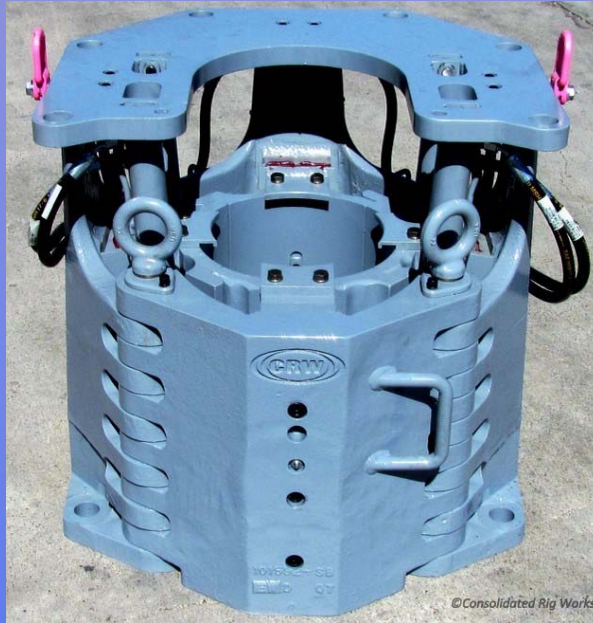
## 7.63\"/>340K High Capacity Slip Bowl

1. Rated load: 340,000 lbs.
2. Designed and tested in compliance with API-8C, with factor-of-safety rating of 1.5:1
3. Cast carriers with keyway slots
4. Standard opening (not full opening)
5. 2 ea. swivel lift eyes (for handling)
6. Overall dimensions: 24-1/2" wide x 22-13/16" long x 23-3/4" high
7. Weight: approx. 1082 lbs. less inserts
8. Tie rod hole pattern: 18-1/16" width x 10-3/4" length
9. Gate pin dims: 13-11/16" center to center of gate pins
10. Insert max: 7-5/8" diameter
11. Tie rod size: 1-1/4" diameter
12. Gate opening: 9-3/16"
13. Max opening less inserts: 9-13/16"
14. Normal operating pressure: 600-1500 psi
15. Cross port relief valve
16. Hose connections: 3/4" quick disconnects
17. Proof load tested to 1.75 times max load rating (595,000 lbs.).
18. Critical parts are NDE inspected after load testing.
19. Slip bowls are stamped and numbered per customer request.
20. Top plate machined to accept (optional) guide rings.
21. Optional guide rings, optional insert adapters (piggybacks) for smaller tubing sizes, optional pipe inserts (pipe dies)



Consolidated Rig Works  
6000 E. Berry St., Fort Worth, TX 76119  
PH: 817-446-5272 ~ FX: 817-446-4947  
E-mail: crwlp@sbcglobal.net  
Website: www.crwlp.com

# SLIP BOWLS



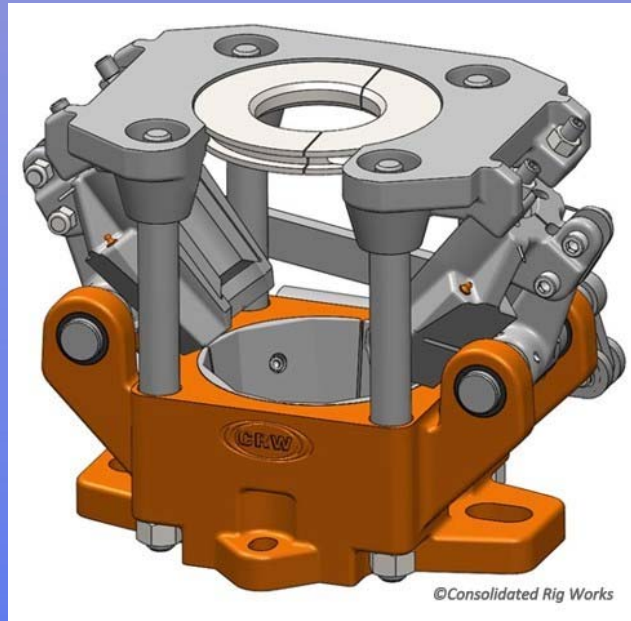
## 9.63"/600K High Capacity Slip Bowl

1. Rated load: 600,000 lbs.
2. Designed and tested per API-8C with an improved factor-of-safety rating of 2.67:1.
3. Cast gate and housing
4. Cast carriers with keyway slots
5. Standard opening. (not full opening)
6. 2 ea. swivel lift eyes. (for handling)
7. Overall dimensions: 28" wide x 28" deep x 26-5/8" tall
8. Weight: approx.: 2,000 lbs. less inserts
9. Mounting bolt hole pattern: 12-1/2" x 25-1/4" rect. + 2 holes at 12.63 x 12.5
10. Mounting bolt dia. 1-1/2"
11. Tie rods must be used in traveling snubbing operations.
12. Gate pin diameter: 1-3/4"
13. Tubing size range: 7-5/8" and 9-5/8"
14. Tubing size range: with optional insert adapters: 2-3/8" thru 7-5/8"
15. Max opening with inserts: 11-13/16"
16. Max opening without inserts: 12-3/16"
17. Normal operating pressure: 600-1500 psi
18. Cross port relief valve
19. Hose connections: 3/4" quick disconnects
20. Proof load tested to 1.5 times max load rating (900,000 lbs.)
21. Critical parts are (NDE) inspected after testing
22. Slip bowls are stamped and numbered per customer request
23. Top plate machined to accept (optional) guide rings.
24. Optional 2 piece guide rings, optional insert adapters (piggybacks) for smaller tubing sizes, optional pipe inserts (pipe dies)
25. Optional Cast Carriers 7.63" or 10.75"



Consolidated Rig Works  
6000 E. Berry St., Fort Worth, TX 76119  
PH: 817-446-5272 ~ FX: 817-446-4947  
E-mail: [crwlp@sbcglobal.net](mailto:crwlp@sbcglobal.net)  
Website: [www.crwlp.com](http://www.crwlp.com)

# SLIP BOWLS



## 300K 7-1/16" Full Bore Slip Bowl

1. Rated load: 300,000 lbs.
2. Designed and tested in compliance with API-8C (factor-of-safety rating 3:1)
3. Cast carriers with replaceable slide plates
4. Overall dimensions: 14" wide x 19-1/2" length x 18-1/4" high
5. Weight: approx. 480 lbs. less inserts
6. Stationary mounting: 2 ea. 1" bolts @ 180 deg. on 16-1/4" BC
7. Traveling bowl mount pattern: 1-1/8" tie rod hole pattern: 4 ea. equally spaced on 14" DBC (approx. 9.9" x 9.9")
8. Standard insert max: 3-1/2" diameter
9. Custom insert max: up to 5-1/2" diameter
10. Tie rod size: 1-1/8" diameter
11. Max open dia.: 7-1/16"
12. Normal operating pressure: 600-1500 psi
13. Hose connections: 3/4" quick disconnects
14. Proof load tested to 1-1/2 times max load rating (450,000 lbs.)
15. Critical parts are (NDE) inspected after testing.
16. Slip bowls are stamped and numbered per customer request.
17. Top plate machined to accept (optional) guide rings.
18. Optional guide rings, optional pipe inserts (pipe dies)